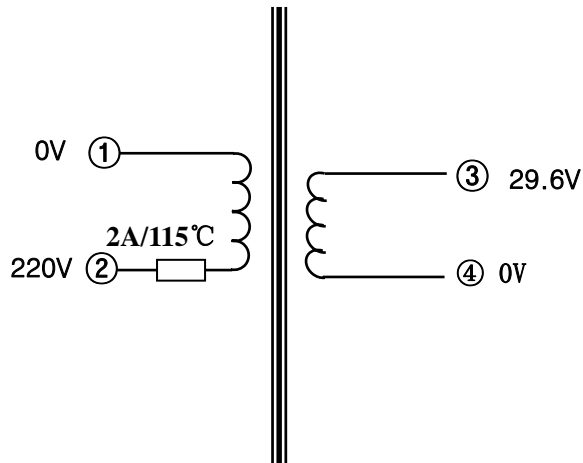


## SY0909-2552A1 Toroidal Power Transformer

Schematic of SY0909-2552A1 Toroidal Power Transformer:



**P/N:** SY0909-2552A1  
**Power:** 200VA  
**Rated input:** 220V/50Hz  
**Rated output:** (load)21V/10A  
**Insulation resistance:**  $\geq 500M\Omega$   
**Insulation strength:** Primary-Secondary: 4000V/2mA/5S  
**Insulation ranking:** Class B  
**Temperature rise:**  $\leq 65^{\circ}C$   
**Lead wire:** Primary: 120mm,  
 Secondary: 300mm,

Dimension of SY0909-2552A1 Toroidal Power Transformer:

Dimension with the box (mm)	D	$\approx 125$
	H	$\approx 28$
Weight (Kg)		$\approx 1.5$

